



HANUTECH SOLUTIONS

HANUTECH

VGA HD FIBER OPTICAL VIDEO CONVERTER



Product description

This product is composed of transmitter and receiver. It can extend the audio, video and USB of the mainframe computer or video recorder to the far-end through a single optical fiber cable. The user will receive the image and the sound of the computer for real time at the far end and also can use the computer. In the same time, the user can also use the computer at the near end.

Our products will be used in monitoring, traffic police and traffic management, energy and power supply industry, government departments, medical systems, commercial display, multimedia function hall, public utilities and other fields.

Product features

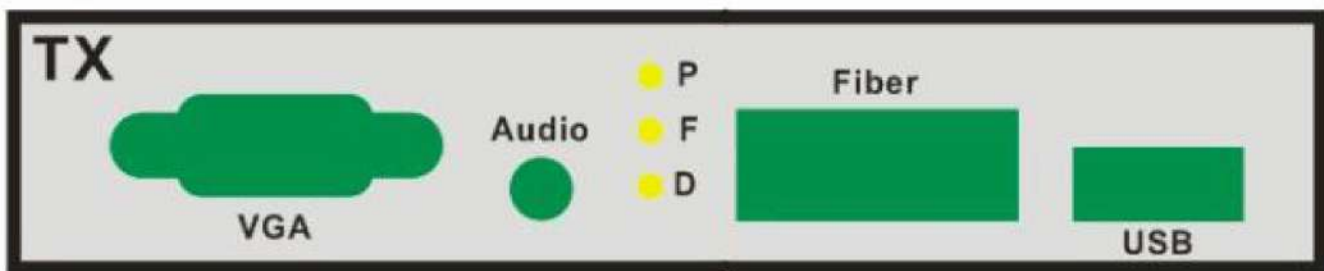
- ◆ Support the max resolution 1920 × 1080@60Hz, input resolution by self-adaption, no need setting.
- ◆ Support USB2.0.
- ◆ Support the audio of VGA cable.
- ◆ Support USB keyboard and mouse.
- ◆ Fiber optical transmission distance can max reach up to 300 meters (multi-mode), and the single-mode transmission distance can max reach up to 100km.
- ◆ Single fiber transmission, have pure hardware design, no need to drive, compatible with any

system, support plug and play.

Product parameters

- ◆ Video input/output port: VGA
- ◆ Fiber connector: FC
- ◆ USB standard: USB2.0
- ◆ USB power-supply current: <500mA
- ◆ Audio connector: Distal 3.5mm stereo socket
- ◆ Keyboard and mouse ports: 2USB
- ◆ Power supply input: DC 5V/2A
- ◆ Transmission power: $\geq -9.5\text{dBm}$
- ◆ Fiber reception sensitivity: $\geq -30\text{dBm}$
- ◆ Working temperature: $-20^{\circ}\text{C}\sim+70^{\circ}\text{C}$

VGA interface diagram:



- 1, TX port: It is for transmitter A, IN input is connected to computer, OUT is connected to video loop and local display.
- 2, Audio: Audio connector which connected to the computer (It only can transmit audio when have video input).
- 3, Fiber: Fiber optical interface (**LAN port, up to 100M**).
- 4, USB: Using USB cable to connect computer.

Installation steps:

1. TX is for transmitter which connect to the computer, RX is for receiver which need connect to the display.

2. Indicator light

- P Power light: It will always light up after power on.
- F Fiber light: It always light up after fiber connected, and will not light up when fiber disconnected. The transmission distance of fiber is max up to 20KM, and the max attenuation of fiber optical is within - 7DB (**LAN port, is up to 100m**).
- D Data light: It will light up when the transmitter connected to the video signal, and this

light will be twinkled when have data transmission.

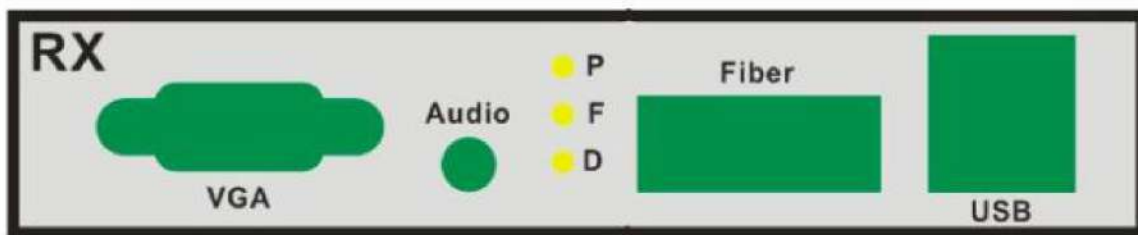
3. 5V power supply and 10W power consumption.

(1)TX port: It is for transmitter A, and VGA is connected to the computer.

(2) Audio: Audio connector which connected to the computer (It only can transmit audio when have video input).

(3) Fiber: Fiber optical interface (LAN port, up to 100M).

(4)USB: Using USB cable to connect computer.



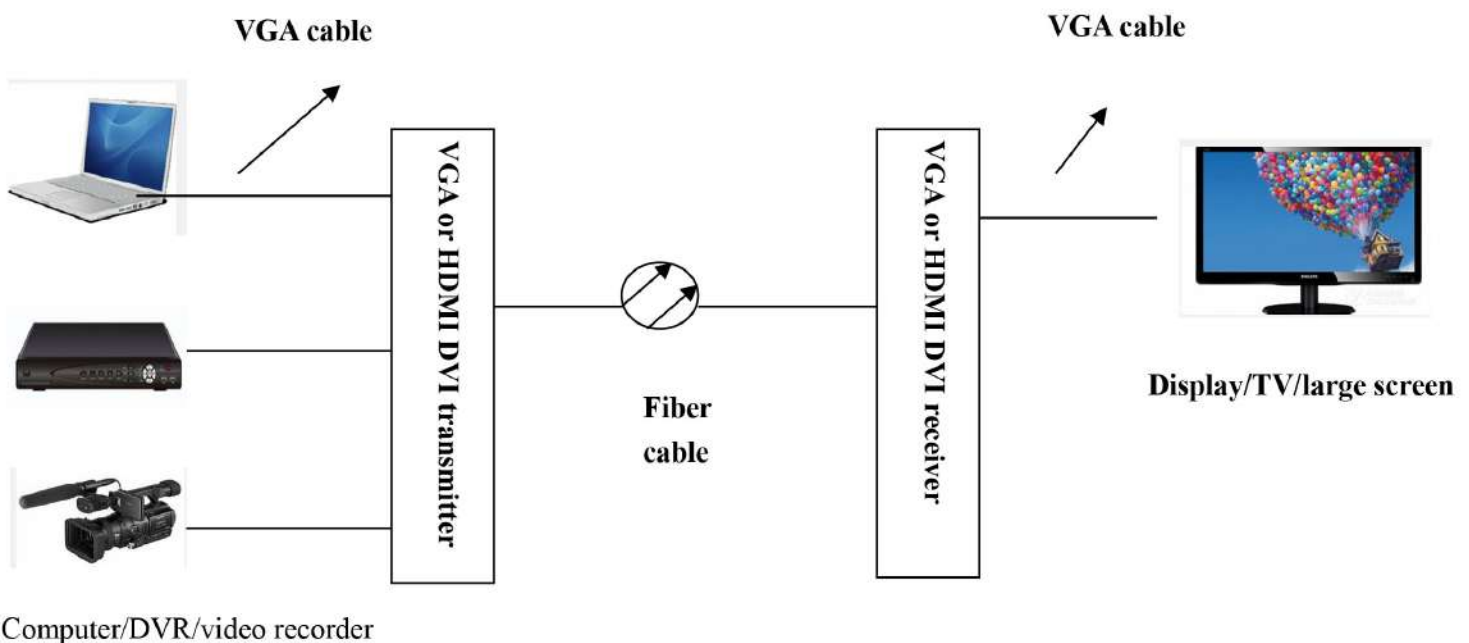
1, RX port: It is for receiver B, which is connected to the display or TV.

2, Audio: Audio connector which connected to the active speaker device (It only can transmit audio when have video input).

3, Fiber: Fiber optical interface (LAN port, up to 100M).

4, USB: It can be connected to a keyboard and a mouse (Note: This USB only support keyboard and mouse functions).

Connection drawing:



Order information:

Product name	Size	Specification	Remarks
1CH VGA+1CH forward audio	130X90X30MM	Single fiber, single mode, 0-20KM, FC/SC connector, stand-alone type.	
1CH VGA+1CH forward audio +2CH USB	130X90X30MM	Single fiber, single mode, 0-20KM, FC/SC connector, stand-alone type.	With keyboard and mouse.
1CH HDMI	130X90X30MM	Single fiber, single mode, 0-20KM, FC/SC connector, stand-alone type.	