



HANUTECH FUSION SPLICER

TH-54





SIX MOTORS



FIBER CORE
ALIGNMENT



6S SPLICING



15S HEATING



BUILT-IN OPM
FUNCTION



BUILT-IN VFL
FUNCTION



BUILT-IN ELECTRIC
PRECISION
CLEAVER



EQUIPPED WITH
TRICOM STRIPPER

Hanutech FUSION splicer TR-54 is the world's first fourth-generation optical fiber fusion splicer, it combines electric cleaver and fusion splicer as one, with 8-in-1 TRICOM stripper, and can be combined with the work bench and table, making it the world's first real sense, small size, light weight, easy to operate optical fiber fusion splicer.



HANUTECH TH-54 optical fiber fusion splicer uses a number of patents, the full weight of the main machine, the toolbox and a complete set of accessories is only 4.5KG, and the toolbox size is 25.5cmx16.5cm x23cm. In such a small and compact case, the combined design of bench and bench is realized at the same time. Industrial CPU, running speed is super fast, 6 seconds fast splicing, 15 seconds heating, 5 inch color HD LCD screen, 320 times magnification, 7800mAh large capacity lithium battery can splice and heat 240 cores, in high altitude, dry, cold and other harsh environments still perform well.



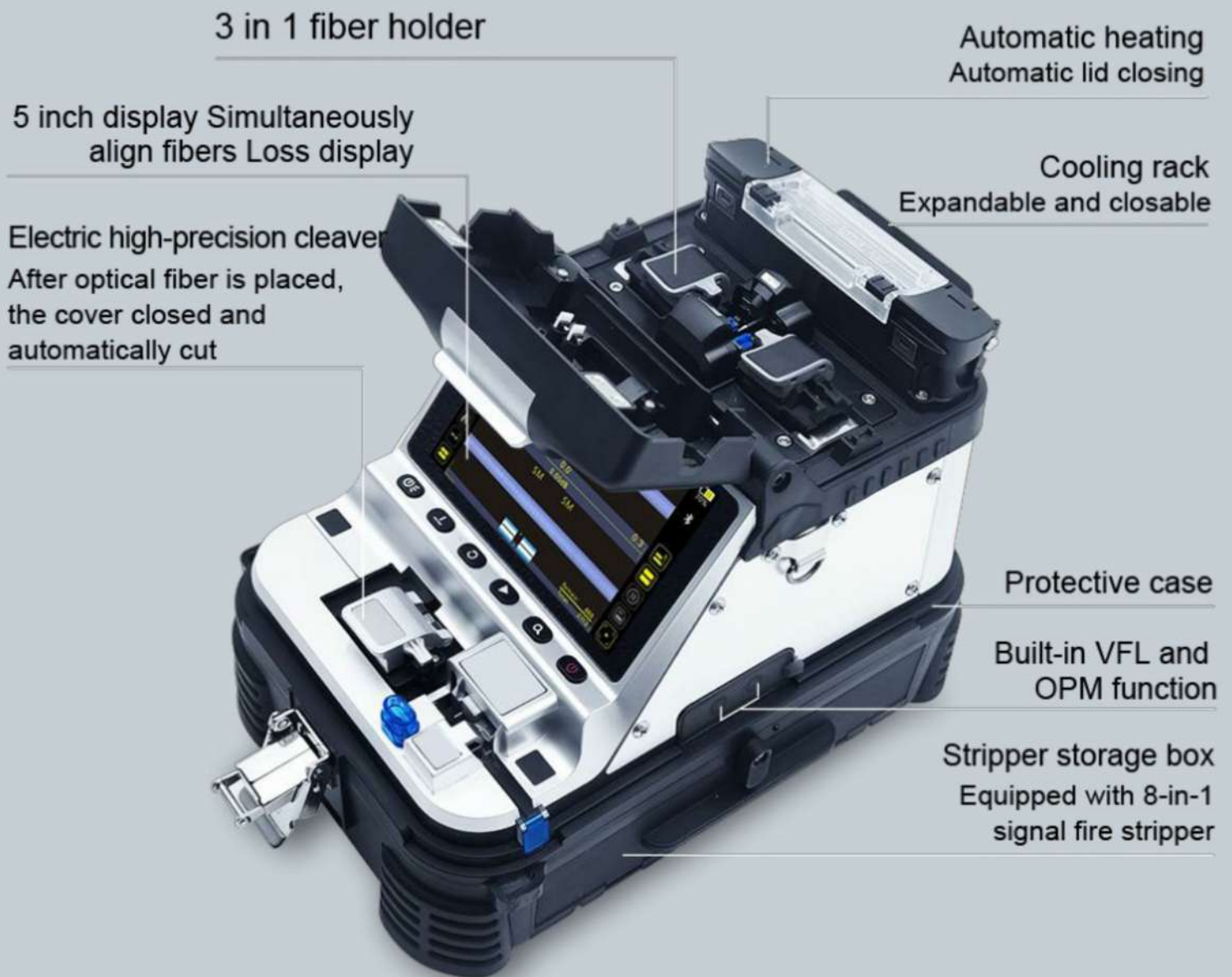
Can be used as a bench
outdoor construction
is also easy



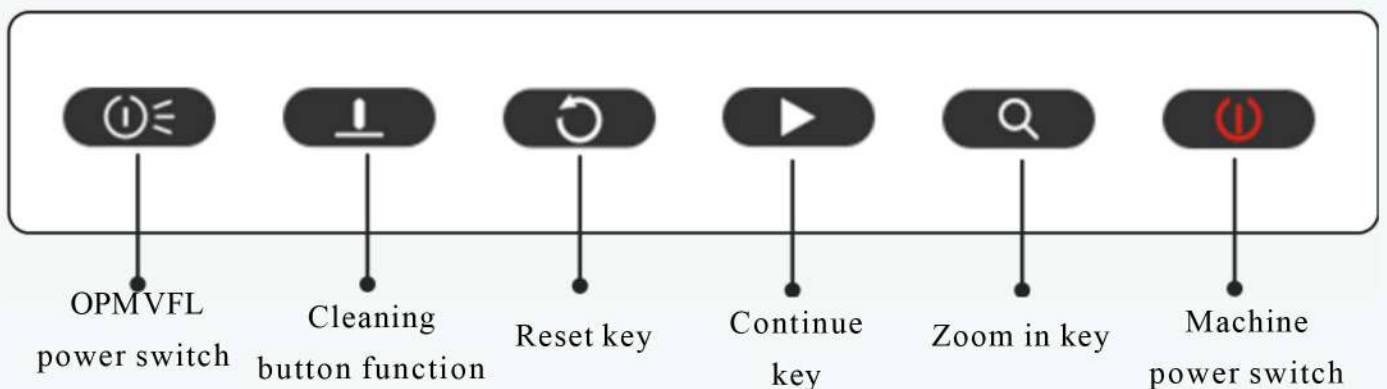
Host support /
protection console



Equipped with 8-in-1
TRICOM stripper

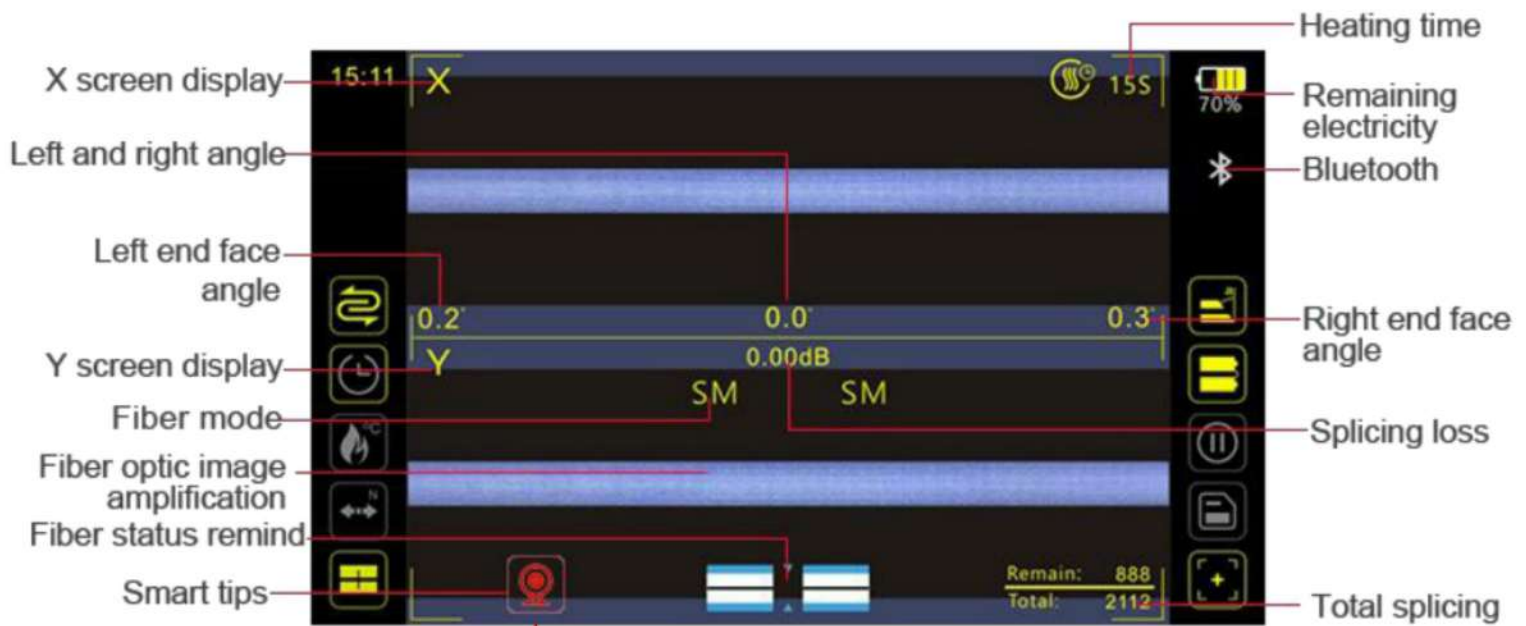


The buttons are clear and beautiful









DISPLAY 5 INCH TFT COLOR DISPLAY SCREEN

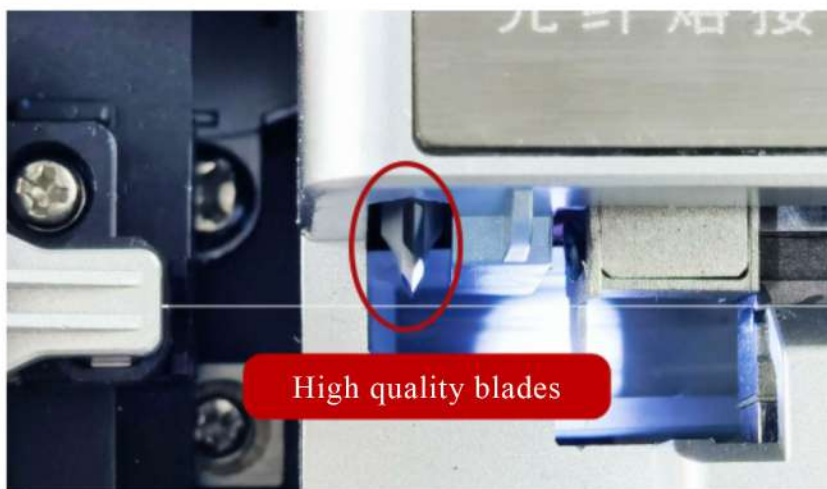
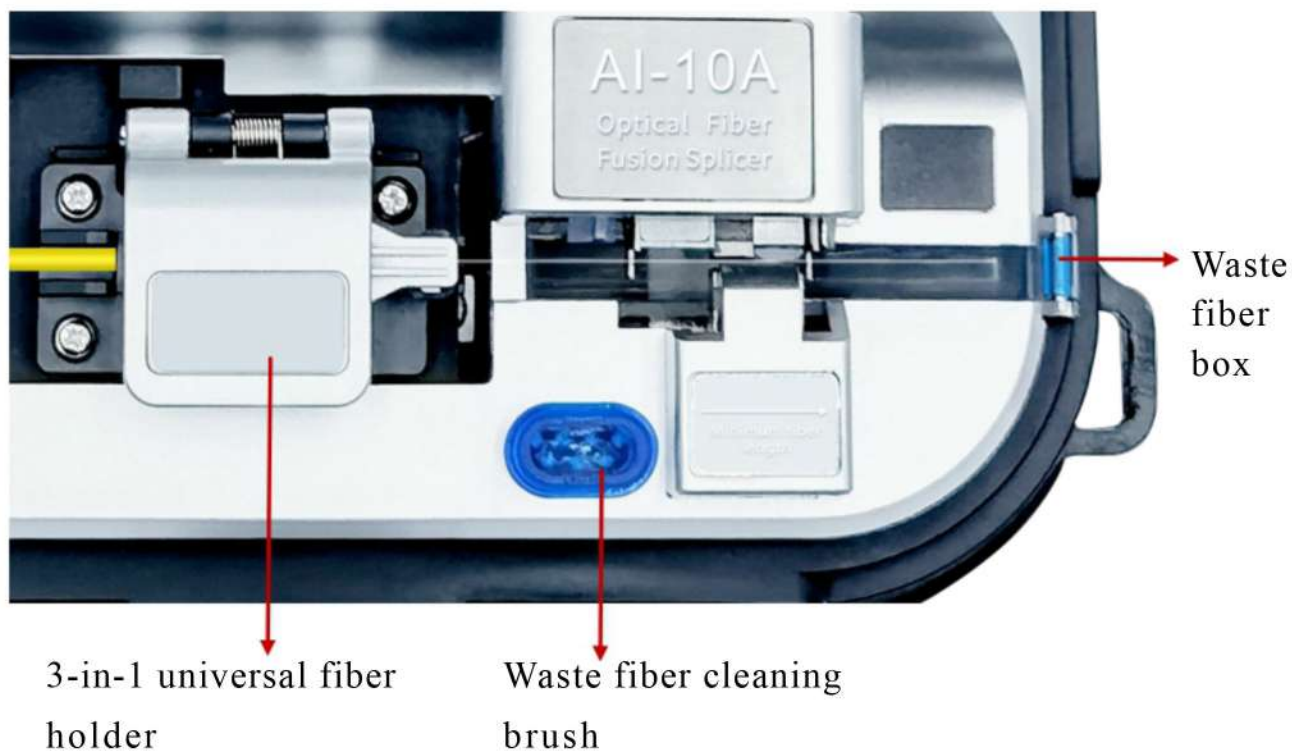
320X (X or Y axis single display) 200X (X and Y axis dual display)



↓
Fault intelligent judgment reminder

					
Camera failure	Core align failed	Focus failed	ARC calibration failed	Left and right fiber does not match	The lens is foggy or foreign body interference

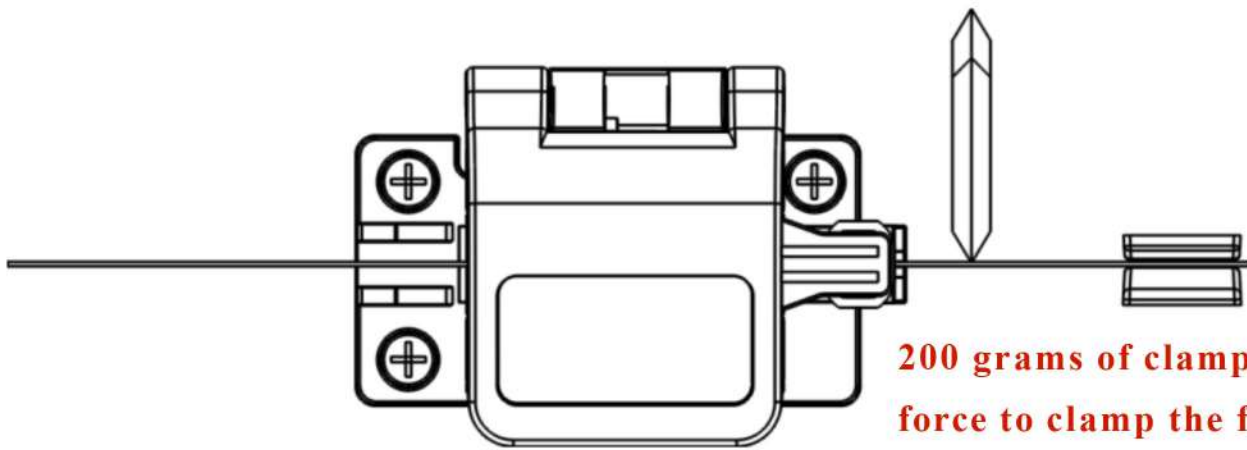
EQUIPPED WITH ELECTRIC HIGH-PRECISION CLEAVER



- After optical fiber is placed, the cover closed and automatically cut
- The blade cuts at a random point

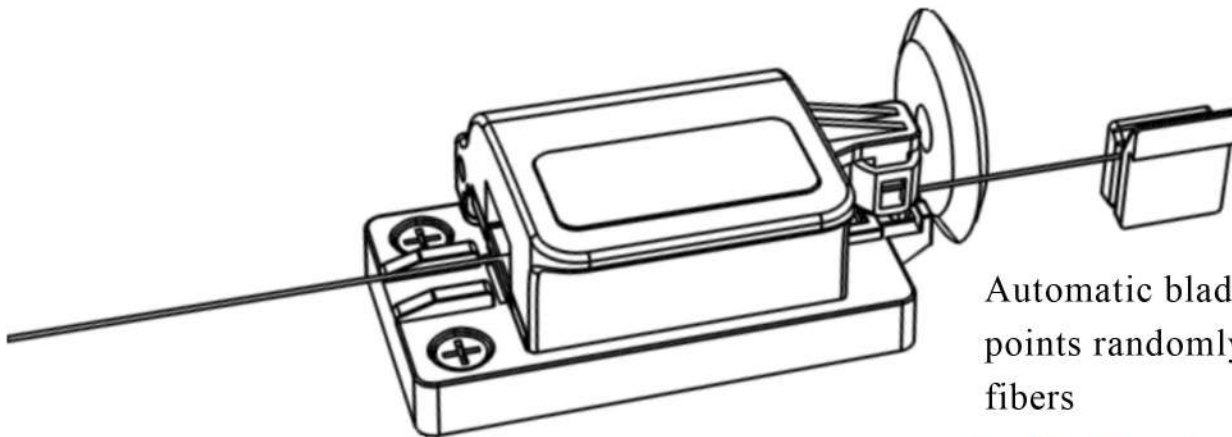
NO BLADE RESURFACING MAINTENANCE FREE

Patented technology for precise cutting



**200 grams of clamping
force to clamp the fiber**

Ensure that the optical fiber is
straight and not damaged



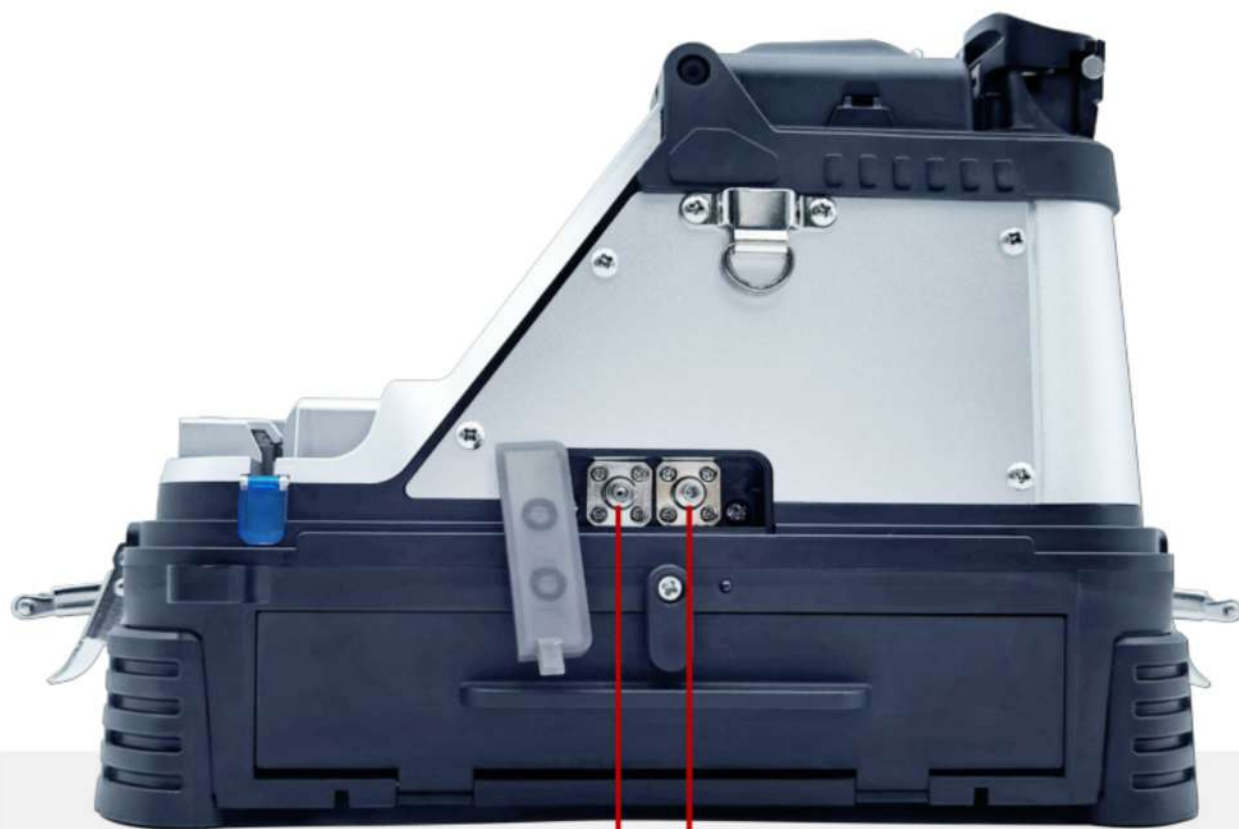
Automatic blade rotation Cut
points randomly cut optical
fibers

No blade refacing is required

The key to the quality of splicing fiber is not only the quality of the fusion splicer, but also the cleaver and various auxiliary tools are very important, especially the trouble-free time of the fiber cleaver and the average cutting quality, to a large extent, determine the real splicing quality and splicing efficiency.

BUILT-IN VFL AND OPM FUNCTION

Effectively measure connection losses, verify continuity,
and help evaluate fiber link transmission quality



OPM(Measurement
range: -50+30dbm

VFL(10km)

OPM

VFL

Switch between six states

Wavelength: 850nm; 1300nm, 1310nm,
1490nm, 1550nm, 1625nm

Switch between three states

power: 15mW, 2Hz flashing and steady on mode

EQUIPPED WITH SIGNAL FIRE STRIPPER



Invisible storage for
easy access

REDUCE CARRYING AND IMPROVE WORK EFFICIENCY

Scissors

(prohibit cutting steel wires)

Three-port

Miller stripper

Wire stripping pliers

Caliber: 2mm x 1.6mm

Wire stripping
pliers

Caliber: 3mmx2mm

Rotate the scale

Cleaning cotton



7800MAH LITHIUM BATTERY

Dual charging path Charging time 3.5 hours

In full state, 240 cores can be continuously fused and heated



Charging channel ①

Input voltage : $13.5 \pm 0.5V$
Input current : 4.8A

**Power indicator
light**

**Charge indicator
light**

Indicator light turns
off when fully charged

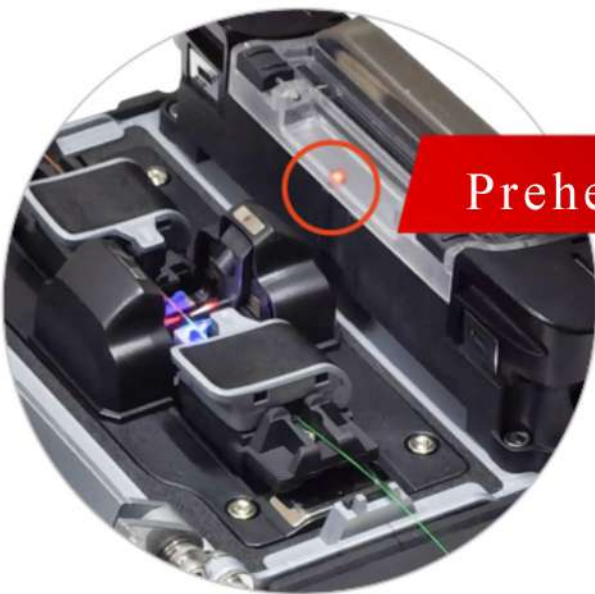
**Press to check
the power level**

**Press to popup
the battery**

Press the button and the battery will pop up slightly Can
charge the battery separately

Charging channel ②

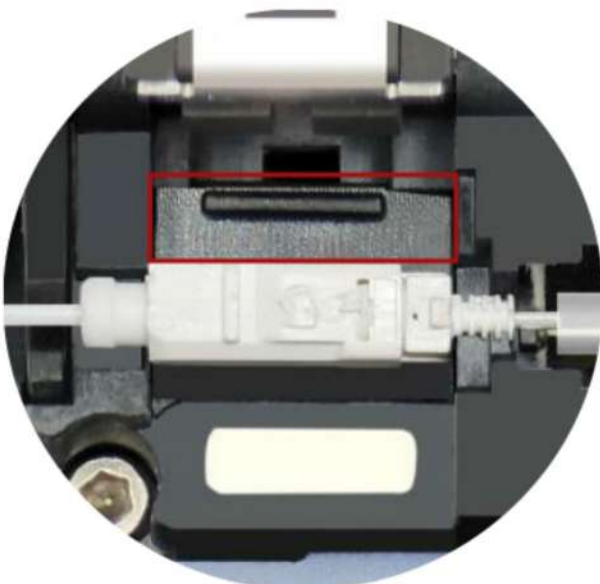
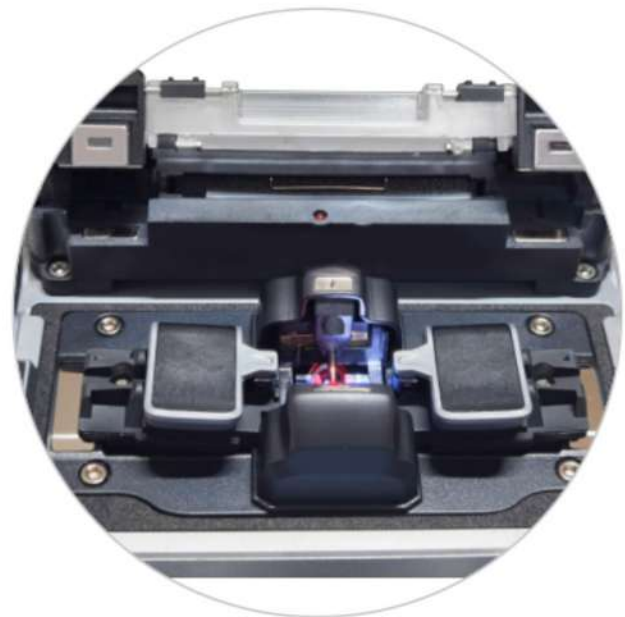
15S AUTOMATIC HEATING



Preheating

Successful fiber spliced. When opening the windproof cover to take out the fiber, the machine turns on pre heating for up to 6 seconds

Heating part automatic lid closing



Heating part compatible with SC fiber

SC Fiber: Push up

Ordinary fiber: Push down

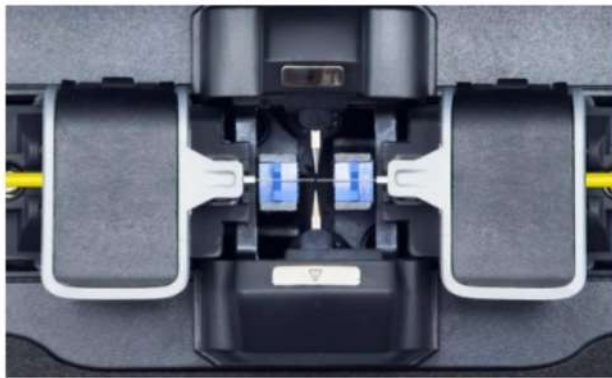
COOLING RACK

Expandable and closable



3-IN-1 UNIVERSAL FIBER HOLDER

SM, MM, bare fiber, pigtail, Drop cable , multi fiber cable



Jumper fiber
(pigtail)

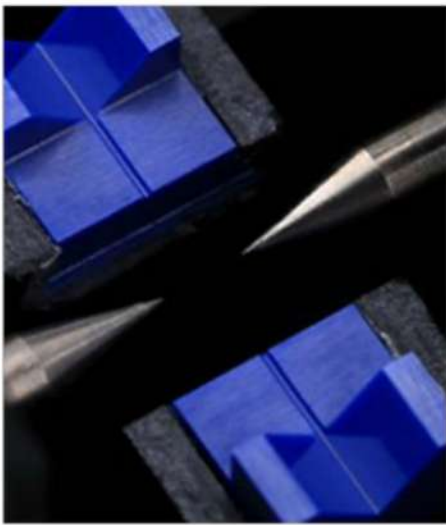


Drop cable



Bare fiber

EXQUISITE DETAILS



The buttons are clear and beautiful

